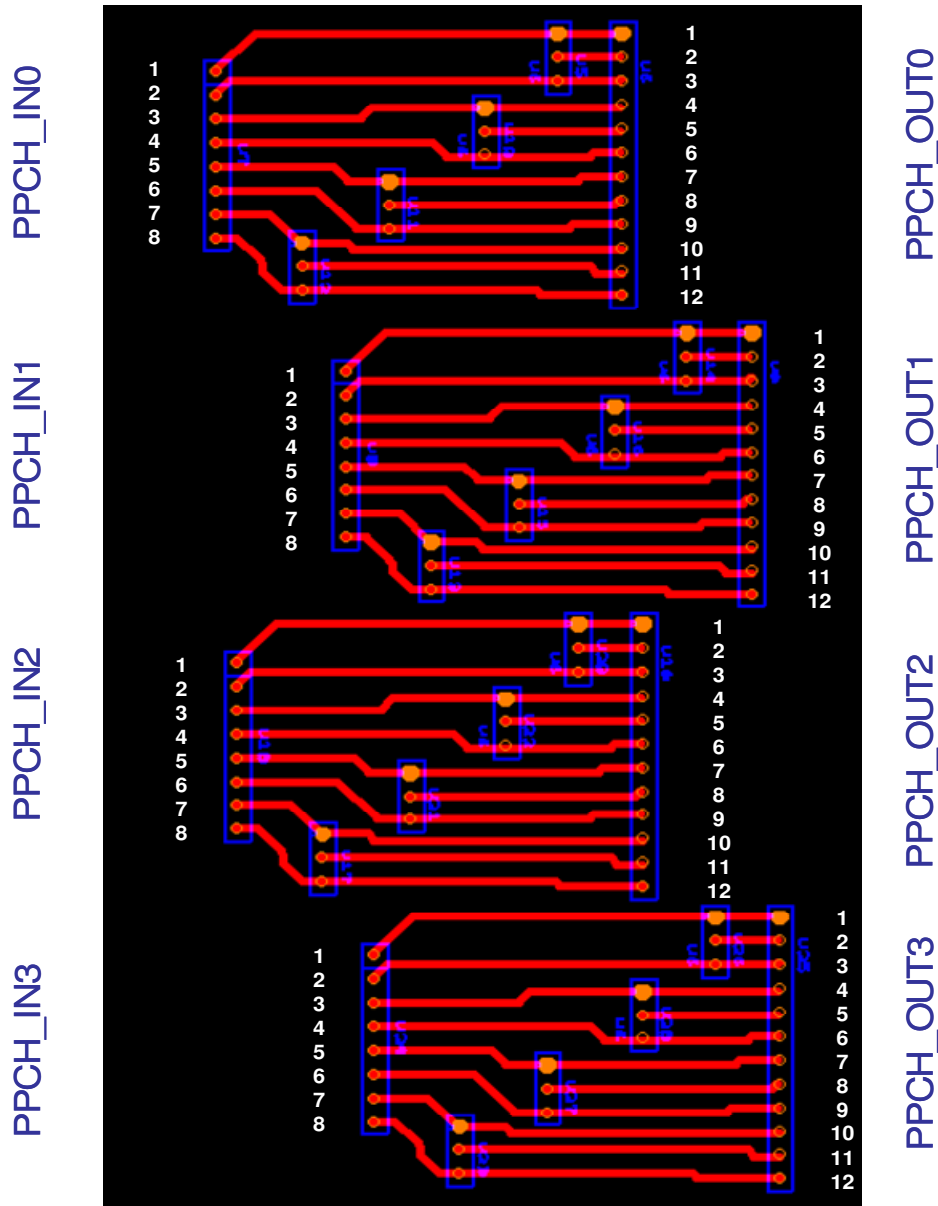


PCB mounted in the PPCH box. Drawing indicates connector labels and pin numbers



51 pin Redel connector

